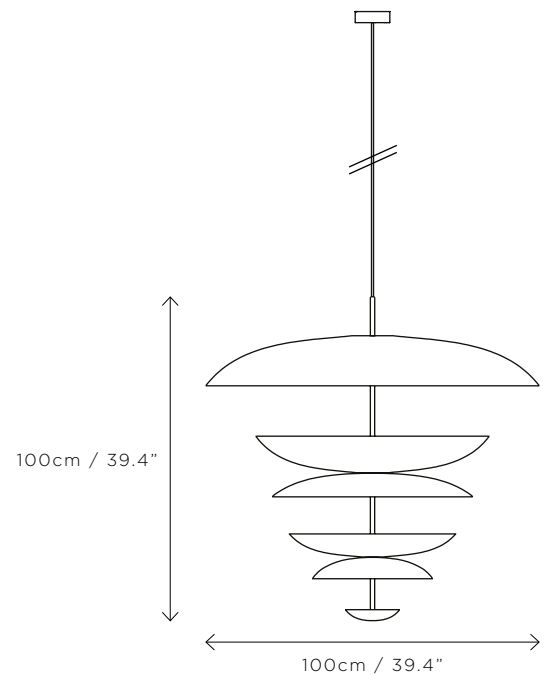




SPECIFICATIONS

DIMENSIONS	Dia. 100cm (39.4") Height 100cm (39.4")
WEIGHT	Approx. 40kg (88.2lbs)
MATERIALS	Satin brass framework Hand-spun brass plate
LEAD TIME	8-10 weeks excl. shipping
ILLUMINATION	Integrated LED (No bulb required) LED colour temperature 2700K LED dimmable driver
OUTPUT	Constant current 700mA 80W 5800 lumen
INPUT	120/240V - 50,000 hours rated life
DIMMING	Mains, DALI, 0-10V or 1-10V
CEILING MOUNTED	INTEGRATED driver - housed in product Standard 3m (118") cable cut to size Drop rod / hang straight options available
REGION	CE certified; UL listing available at a surcharge



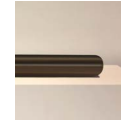
FINISH

REGOLITH



REGOLITH RUST M BRONZE

FRAME



D BRONZE

CANOPY



D BRONZE

CABLE



BLACK

STANDARD COMBINATION

SHADE



REGOLITH

FRAME



DARK BRONZE

CANOPY



DARK BRONZE

CABLE



BLACK

CAROUSEL CHANDELIER SERIES



ORE



VERDIGRIS



PURION



SEPIA