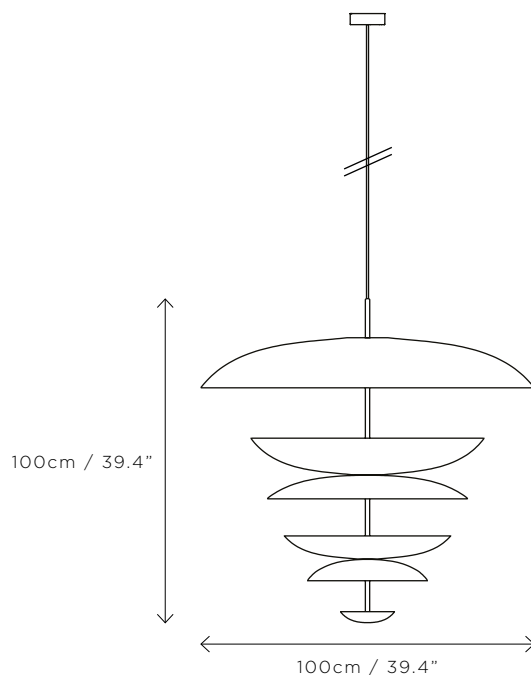




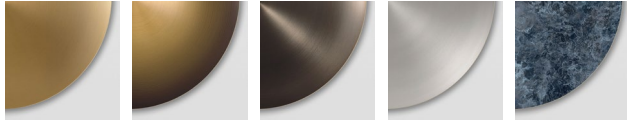
SPECIFICATIONS

DIMENSIONS	Dia. 100cm (39.4") Height 100cm (39.4")
WEIGHT	Approx. 40kg (88.2lbs)
MATERIALS	Satin brass framework Hand-spun brass plate
LEAD TIME	8-10 weeks excl. shipping
ILLUMINATION	Integrated LED (No bulb required) LED colour temperature 2700K LED dimmable driver
OUTPUT	Constant current 700mA 80W 5800 lumen
INPUT	120/240V - 50,000 hours rated life
DIMMING	Mains, DALI, 0-10V or 1-10V
CEILING MOUNTED	INTEGRATED driver - housed in product Standard 3m (118") cable cut to size Drop rod / hang straight options available
REGION	CE certified; UL listing available at a surcharge

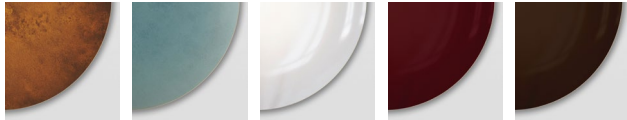


FINISHES

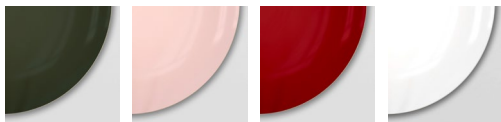
SHADE



SOL ORE REGOLITH SELENO CALLISTO

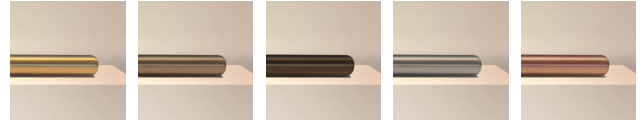


RUST VERDIGRIS PURION MAROON SEPIA



OLIVE ROSE CARMINE CUSTOM*

FRAME



S BRASS M BRONZE D BRONZE NICKEL COPPER

CANOPY



S BRASS M BRONZE D BRONZE NICKEL COPPER

CABLE



GOLD BROWN BLACK SILVER ROSE

STANDARD FINISH COMBINATIONS

SHADE	FRAME	CANOPY	CABLE
SOL	SATIN BRASS	SATIN BRASS	GOLD
ORE	SATIN BRASS	SATIN BRASS	GOLD
REGOLITH	DARK BRONZE	DARK BRONZE	BLACK
SELENO	NICKEL	NICKEL	SILVER
CALLISTO	SATIN BRASS	SATIN BRASS	GOLD
RUST	SATIN BRASS	SATIN BRASS	GOLD
VERDIGRIS	SATIN BRASS	SATIN BRASS	GOLD
PURION	SATIN BRASS	SATIN BRASS	GOLD
MAROON	SATIN BRASS	SATIN BRASS	GOLD
SEPIA	SATIN BRASS	SATIN BRASS	GOLD
OLIVE	SATIN BRASS	SATIN BRASS	GOLD
ROSE	SATIN BRASS	SATIN BRASS	GOLD
CARMINE	SATIN BRASS	SATIN BRASS	GOLD

* Custom frame or plate finishes available at a surcharge.
Please note Medium Bronze is not available as a plate finish.