



PURION CHANDELIER

DIMENSIONS

Dia. 70cm (27.5")
Height 57cm (22.4")

WEIGHT

15kg (33.1lbs)

MATERIALS

Satin brass framework
Hand-spun brass plates

FINISH

Gloss or matt white lacquer;
Please note that each piece is finished by hand and will vary slightly in patterns and textures.

LEAD TIME

12-14 weeks excl. shipping

ILLUMINATION

Integrated LED (No bulb required)
LED colour temperature 2700K
LED dimmable driver
Output 700mA 40W 3000lm
Input 120/240V
50,000 hours rated life

DIMMING

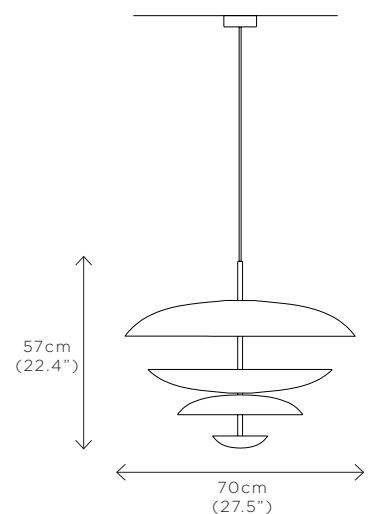
Mains, DALI, 0-10V or 1-10V

CEILING MOUNTED

Driver to be integrated into product.
Suspension cable 3m (118") to be cut to size.

REGION

CE certified;
UL listing available at a surcharge.





PURION CHANDELIER

DIMENSIONS

Dia. 100cm (39.4")
Height 75cm (29.5")

WEIGHT

25kg (55.1lbs)

MATERIALS

Satin brass framework
Hand-spun brass plates

FINISH

Gloss or matt white lacquer;
Please note that each piece is finished by hand and will vary slightly in patterns and textures.

LEAD TIME

14-16 weeks excl. shipping

ILLUMINATION

Integrated LED (No bulb required)
LED colour temperature 2700K
LED dimmable driver
Output 700mA 40W 3000lm
Input 120/240V
50,000 hours rated life

DIMMING

Mains, DALI, 0-10V or 1-10V

CEILING MOUNTED

Driver to be integrated into product.
Suspension cable 3m (118") to be cut to size.

REGION

CE certified;
UL listing available at a surcharge.

