



ORE PENDANT

DIMENSIONS

Dia. 70cm (27.5")
Height 42cm (16.5")

WEIGHT

9kg (19.8lbs)

MATERIALS

Satin brass framework
Hand-spun brass plate

FINISH

Bronze patina gradient;
Please note that each piece is finished by hand and will vary slightly in patterns and textures.

LEAD TIME

8-10 weeks excl. shipping

ILLUMINATION

Integrated LED (No bulb required)
LED colour temperature 2700K
LED dimmable driver
Output 700mA 17W 1500lm
Input 120/240V
50,000 hours rated life

DIMMING

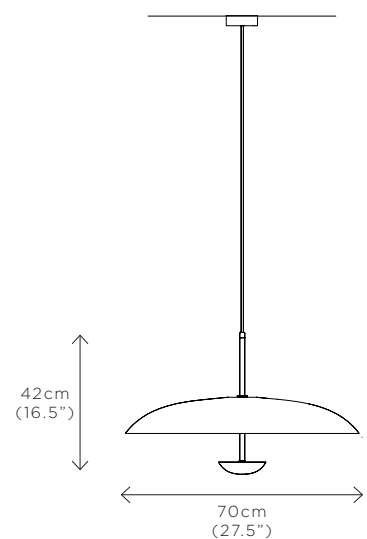
Mains, DALI, 0-10V or 1-10V

CEILING MOUNTED

Driver to be integrated into product.
Suspension cable 3m (118") to be cut to size.

REGION

CE certified;
UL listing available at a surcharge.





ORE PENDANT

DIMENSIONS

Dia. 100cm (39.4")
Height 52cm (20.5")

WEIGHT

15kg (33.1lbs)

MATERIALS

Satin brass framework
Hand-spun brass plate

FINISH

Bronze patina gradient;
Please note that each piece is finished by hand and will vary slightly in patterns and textures.

LEAD TIME

8-10 weeks excl. shipping

ILLUMINATION

Integrated LED (No bulb required)
LED colour temperature 2700K
LED dimmable driver
Output 700mA 17W 1500lm
Input 120/240V
50,000 hours rated life

DIMMING

Mains, DALI, 0-10V or 1-10V

CEILING MOUNTED

Driver to be integrated into product.
Suspension cable 3m (118") to be cut to size.

REGION

CE certified;
UL listing available at a surcharge.

