



### PURION PENDANT

#### DIMENSIONS

Dia. 70cm (27.5")  
Height 42cm (16.5")

#### WEIGHT

9kg (19.8lbs)

#### MATERIALS

Satin brass framework  
Hand-spun brass plate

#### FINISH

Gloss or matt white lacquer;  
Please note that each piece is finished by hand and will vary slightly.

#### LEAD TIME

8-10 weeks excl. shipping

#### ILLUMINATION

Integrated LED (No bulb required)  
LED colour temperature 2700K  
LED dimmable driver  
Output 700mA 17W 1500lm  
Input 120/240V  
50,000 hours rated life

#### DIMMING

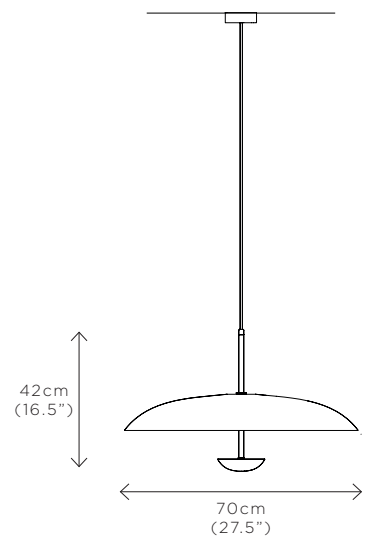
Mains, DALI, 0-10V or 1-10V

#### CEILING MOUNTED

Driver to be integrated into product.  
Suspension cable 3m (118") to be cut to size.

#### REGION

CE certified;  
UL listing available at a surcharge.





### PURION PENDANT

#### DIMENSIONS

Dia. 100cm (39.4")  
Height 52cm (20.5")

#### WEIGHT

15kg (33.1lbs)

#### MATERIALS

Satin brass framework  
Hand-spun brass plate

#### FINISH

Gloss or matt white lacquer;  
Please note that each piece is finished by hand and will vary slightly in patterns and textures.

#### LEAD TIME

8-10 weeks excl. shipping

#### ILLUMINATION

Integrated LED (No bulb required)  
LED colour temperature 2700K  
LED dimmable driver  
Output 700mA 17W 1500lm  
Input 120/240V  
50,000 hours rated life

#### DIMMING

Mains, DALI, 0-10V or 1-10V

#### CEILING MOUNTED

Driver to be integrated into product.  
Suspension cable 3m (118") to be cut to size.

#### REGION

CE certified;  
UL listing available at a surcharge.

